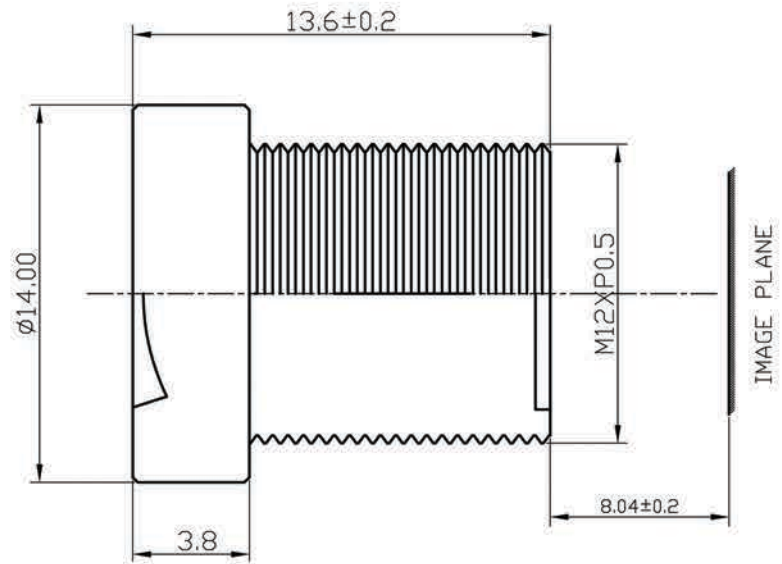


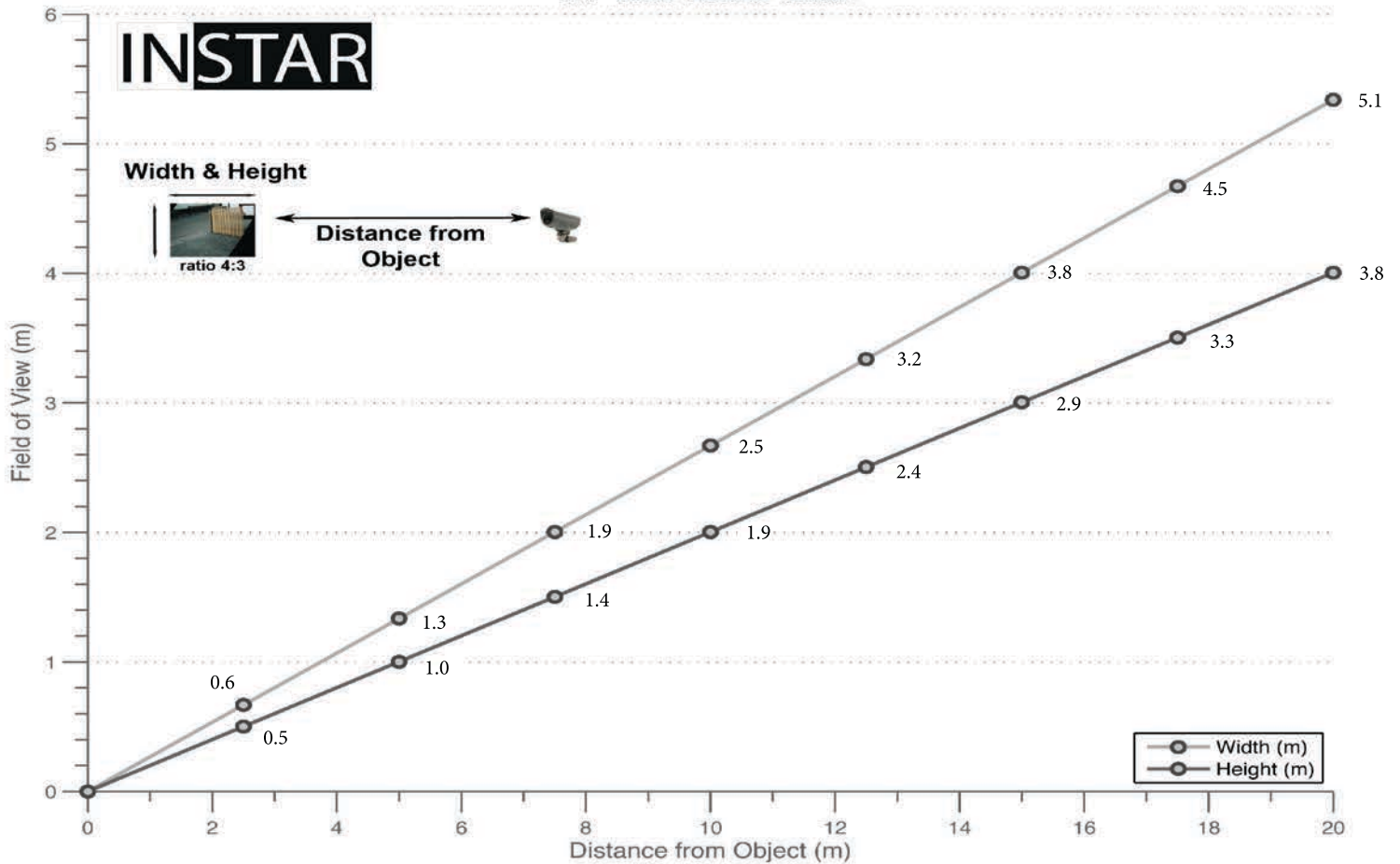
Specifications:

- 1 Sensing Area: 1/5" CMOS; 5,08 mm
- 2 Focal Length: 16.0 mm (f)
- 3 Back Focal Length: 9.38 mm
- 4 F/NO: 2.0
- 5 Iris: Fixed
- 6 Optical Distortion: < -0.3 %
- 7 Lense Construction:
3 Glasses (+ IR Filter)
- 8 Field Angle (D x H x V):
18.0 x 14.5 x 11.2 *
- 9 Focus Extent: 40 cm - ∞
- 10 Weight: 6,0 g
- 11 Temperature: -10 - 50°C

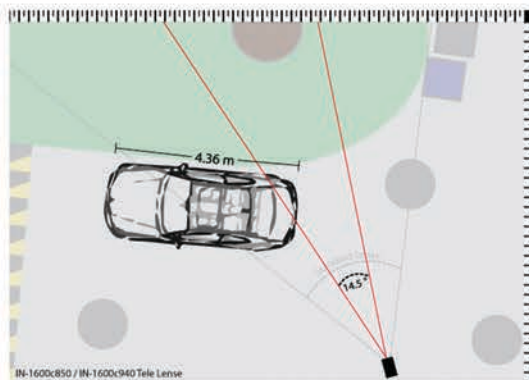


* Diagonal field angle calculated according to: $\phi = 2 \tan^{-1} \left(\frac{5.08}{f} \right) \times \frac{180}{\pi}$

IN-1600 Lense Chart



IN-1600c850 "without IR filter"



IN-1600c850 / IN-1600c940 Tele Lense



IN-1600c940 "with IR filter"